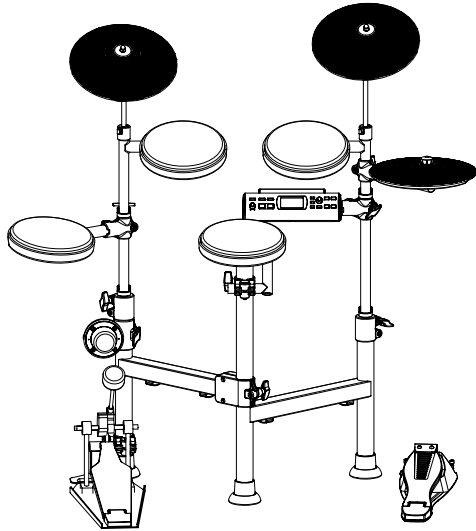


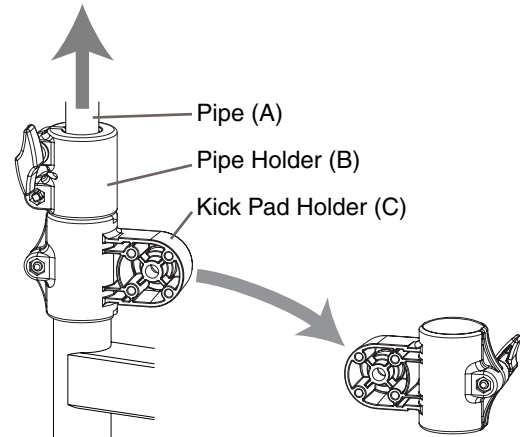


# TD-4KP Setup Guide for Lefty

## Completed Setup

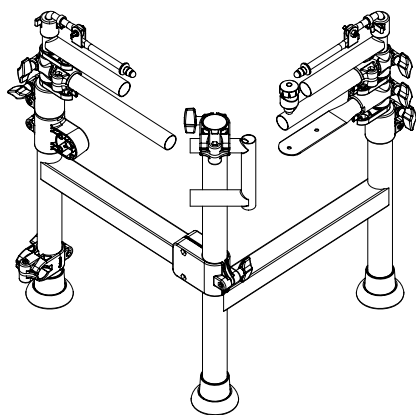
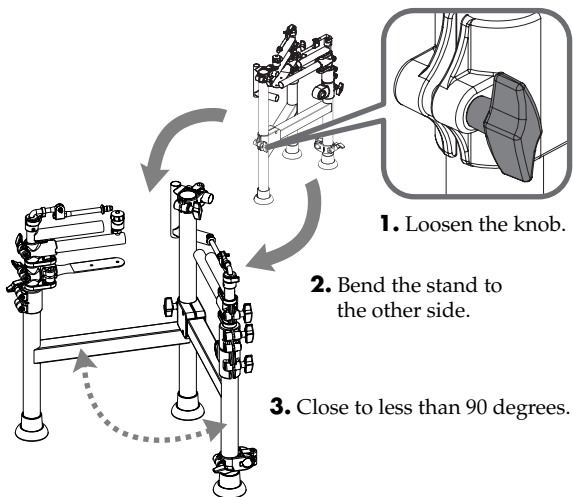


## 2 Attach the kick pad holder upside down



1. Loosen the knob for the Pipe Holder (B) on the left side (kick pad side), and then pull up the Pipe (A).
2. Use the drum key to loosen the bolt for the Pipe Holder (B), and then remove the Pipe Holder (B).
3. Remove the Kick Pad Holder (C) once and attach it upside down again.
4. Attach the Pipe Holder (B).
5. Attach the Pipe (A).

## 1 Open the stand

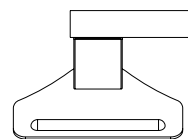


Front

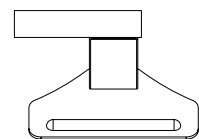
## 3 Assemble the drum set

Assemble the drum set according to the procedure after step "3 Extend the pipes" in the Setup Guide 1 attached to TD-4KP.

\* In step "9 Attach the kick pad," attach the pedal plate for lefty in your hand instead of the pedal plate for righty attached to your TD-4KP.



for lefty



for righty