

Roland

V-Drums Portable TD-4KP

Powerful, Playable, Portable



At the Gig Unfold and Play



In the Car
Ultra Portable

With its innovative foldable design, the V-Drums Portable TD-4KP makes drumming more convenient and mobile than ever. It's a drummer's dream for transport and storage. And, with V-Drums technology at its core, it provides "no compromise" sound and playability.



Quick Setup and Breakdown

To set up, simply extend the stand, raise the pipe, rotate the pads, and power on to play.

To break down, fold the kit with all pads mounted on the stand ... it's incredibly fast and easy!



Innovative Kick Pad

The kick pad and pedal plate are built in the rack.

To set up, simply rotate them into the playing position.

Enjoy the comfortable feel of the kick pad and the natural beater movement.



Quick and Clean

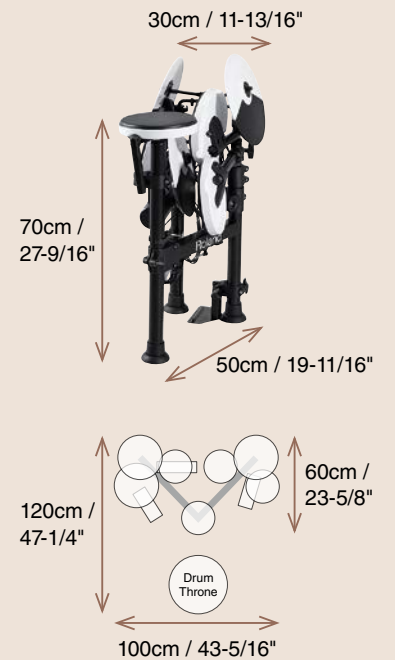
The V-Drums Portable kit is equipped with unique features for fast, easy setup. Quick Release enables instant positioning and folding of the cymbals with one-touch operation. Cable holders neatly bunch the cables as well as provide storage for a drum key or cable plug.



The Science of Mobility Innovative Mechanics



Space-Saving
Foldable Design
All Pads Stay Attached



**Kick pedal not included and shown only for photography purposes.*

V-Drums Portable TD-4KP

Expressive Drum Set

Dynamic sounds, cymbal chokes, delicate hi-hat nuances — V-Drums Portable provides a natural and comfortable drumming experience. The compact 7.5" drum pads are outfitted with a cushioned-rubber head; the dual-trigger 10" cymbal pads provide a sensitive, accurate response and playing feel.



**The pads included with the TD-4KP do not support rimshots and cross stick. To enable rimshots and cross stick, replace the snare pad with an optional PDX-6 or PDX-8 V-Pad.*

Improve Your Drumming Technique

More than just great sounds onboard, V-Drums Portable is also equipped with built-in training programs. The Coach function helps you improve your drumming technique with five different modes: Warm Up, Time Check, Tempo Check, Quiet Count, and Auto Up/Down. Quick REC captures your drumming and lets you listen to the results — valuable for self-evaluation and improvement.



V-Drums Sound Quality

The TD-4 sound module (included with the kit) is packed with world-class drum and percussion sounds. The sounds can be easily edited, as you can quickly and intuitively customize the kits with tuning/muffling buttons. Ambience effects can also be added to make the sounds more lively and dynamic.



Easy Transport



Thanks to the TD-4KP's lightweight and compact design, it's easy to fold and carry the kit with all pads mounted on the stand. Bring it to the gig by yourself, no assistance required.

Upgrade Options



You can upgrade the snare with a V-Pad PDX-6/PDX-8 (optional), which provides a realistic mesh-head feel as well as rim-shot playability.

**When you mount a PDX-8/6 on the TD-4KP snare pad, a MDH-12 clamp is required.*

Accessories



CB-TDP

Carrying Case

Conveniently transport and protect the TD-4KP with the CB-TDP carrying case. It features a shoulder strap and detachable pouches for the hi-hat and kick pedals, plus a handy pocket for beaters, sticks, and other accessories.



TDM-1

V-Drums Mat

Secure-Performance Mat



DAP-3X

V-Drums Accessory Package

The essential accessories for V-Drummers
Contents: Roland kick pedal, drum throne, and a pair of drumsticks



PM-03

Personal Monitor

Features 2.1-channel speaker



PDX-8 / PDX-6

V-Pad



RH-A7

Monitor Headphones

The essential digital-instrument accessory



MDH-12

Pad Mount

V-Drums Friend Jam



V-Drums Friend Jam is a social-networking site where drummers from over 140 countries and regions can unit and compete.

www.roland.com/FriendJam/V-Drums/

The compact design of the V-Drums Portable is perfect for homes, as it greatly minimizes the space needed for playing as well as storage. For students practicing at home, the Coach and Quick Rec functions will help improve their skills, especially during private practice sessions with headphones.

Surprisingly Compact Fold and Store



In Your Room Intensive Training

V-Drums Portable TD-4KP Specifications

Roland TD-4KP: V-Drums Portable	
Kit Configuration	Kick Pad, Snare, Hi-Hat, Hi-Hat Pedal, Tom x 3, Crash, Ride <i>*Kick pedal and drum throne are not included.</i>
Dimensions	mm: 1,000 (W) x 1,200 (D) x 1,250 (H), inches: 39-3/8 (W) x 47-1/4 (D) x 49-1/4 (H) <i>*setting size is adjustable, **including kick pedal, cymbals, and drum throne</i>
Folded Dimensions	mm: 300 (W) x 500 (D) x 700 (H), inches: 11-13/16 (W) x 19-11/16 (D) x 27-9/16 (H)
Weight (excluding AC adaptor)	12.5 kg / 27 lbs 9 oz
Accessories	Setup Guide x 2, Owner's Manual, AC adaptor, Special connection cable, Wing bolt (M5 x 10) x 2
TD-4: Percussion Sound Module	
Instruments	Drum Instruments: 125
Drum Kits	25
Instrument Parameters	KICK, SNARE, TOM, PERC: Tuning, Muffling
Mixer Parameters	Pad Volume, Pan, Kit Volume, Cross Stick Volume
Ambience Types	9
Rhythm Coach Functions	Warm Ups, Time Check, Tempo Check, Quiet Count, Auto Up/Down
Quick Rec	Resolution: 96 ticks per quarter note, Recording Method: Real-time, Maximum Note Storage: approx. 9,000 Notes
Display	Custom (backlit LCD)
Connectors	Trigger Input connector: DB-25 type (Kick, Snare, Tom1, Tom2, Tom3, Hi-Hat, Crash1, Ride, Hi-Hat Control), OUTPUT (L/MONO, R) jacks: 1/4 inch phone type, PHONES jack: Stereo 1/4 inch phone type, MIX IN jack: Stereo miniature phone type, MIDI OUT connector
Output Impedance	1 k ohm
Power Supply	AC adaptor
Current Draw	500 mA
Dimensions	mm: 224.0 (W) x 151.1 (D) x 65.1 (H), inches: 8-7/8 (W) x 6 (D) x 2-9/16 (H)
Weight (excluding AC adaptor)	477 g / 1 lb 1 oz

Better Life with Music

Bring more music into your life.
Roland invites everyone to experience
the joy of making music.

Roland and V-Drums are either registered trademarks or trademarks of Roland Corporation in the United States and/or other countries.

All specifications and appearances are subject to change without notice.

Company names and product names appearing in this document are registered trademarks or trademarks of their respective owners.

It is forbidden by law to make an audio recording, video recording, copy or revision of a third party's copyrighted work (musical work, video work, broadcast, live performance, or other work), whether in whole or in part, and distribute, sell, lease, perform, or broadcast it without the permission of the copyright owner. Do not use this product for purposes that could infringe on a copyright held by a third party. We assume no responsibility whatsoever with regard to any infringements of third-party copyrights arising through your use of this product.



Visit us online at www.roland.com/V-Drums/
www.Roland.com

Printed in Japan November, '12 RAM-4810 ABF-2 GR-UPR-SS

